

# Filter Type Multimode Optical Splitter



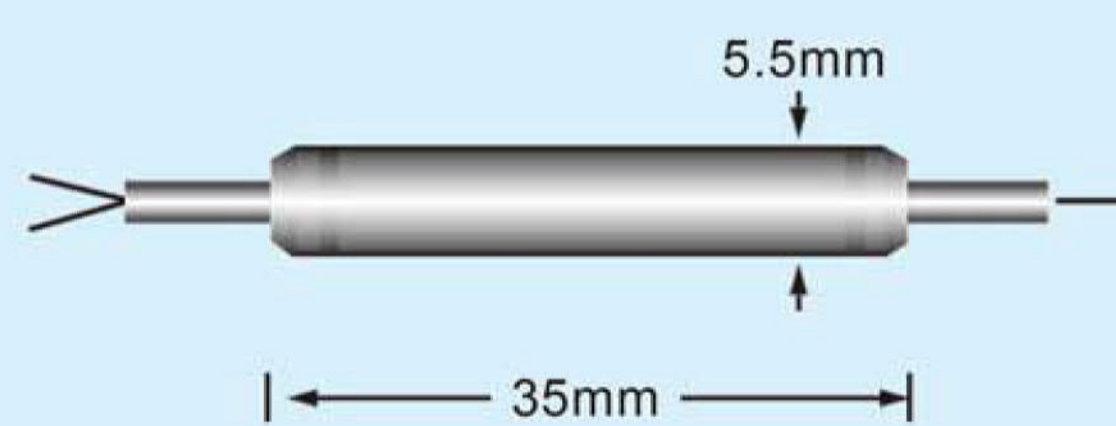
## Features

- Low insertion loss
- Wide bandwidth
- Low PDL
- High stability and reliability

## Applications

- Mobile fiber network
- MAN
- Bi-directional communication

## Package Dimension



## Performance Specifications

Parameter		Specification
Operating Wavelength (nm)		850±40
Insertion Loss (dB)	50/50	≤3.9/3.9
	10/90	≤11.5/1.2
	5/95	≤14.5/0.9
Polarization Dependent Loss (dB)		≤0.15
Return Loss (dB)		≥35
Directivity (dB)		≥30
Maximum Power Handling (mW)		500
Operating Temperature (°C)		-10~+70
Storage Temperature (°C)		-40~+85
Fiber Type		50/125 MM or 62.5/125 MM or OM3
Package Dimension (mm)	For 250µm, 900µm	Ø5.5 × L35
	For 2.0mm, 3.0mm	L90 × W20 × H10

Above specifications are for devices without connector. Specifications may change without notice.

## Ordering Information

Port	Wavelength	Coupling Ratio	Fiber Type	Package	Fiber Diameter	Fiber Length	Connector
102=1x2 202=2x2	0=850nm S=Specify	0=50/50 1=10/90 2=5/95 S=Specify	0=MM 50/125 1=MM 62.5/125 2=OM3	1=Ø5.5x35mm 2=90x20x10mm 3=LGX Box 4=Rackmount S=Specify	0=250µm 1=900µm 2=2.0mm 3=3.0mm	0=0.5m 1=1m 2=1.5m S=Specify	0=None 1=FC/APC 2=FC/UPC 3=SC/APC 4=SC/UPC 5=LC/APC 6=LC/UPC 7=ST S=Specify